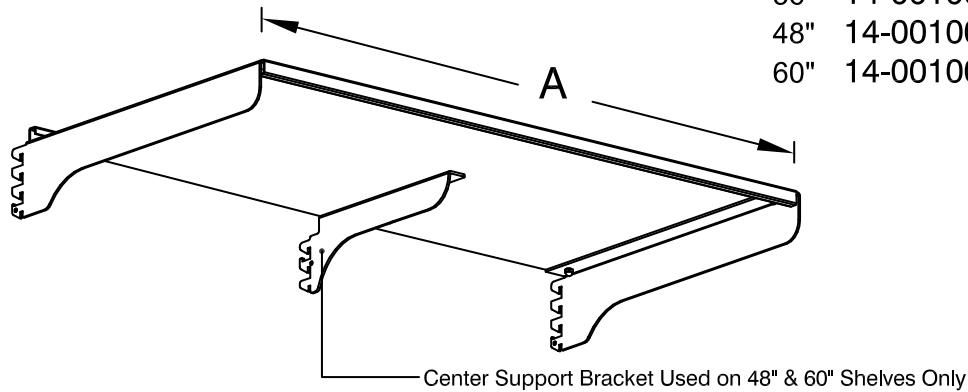


Standard Mounting Shelf 18.5" Deep Downward Brackets



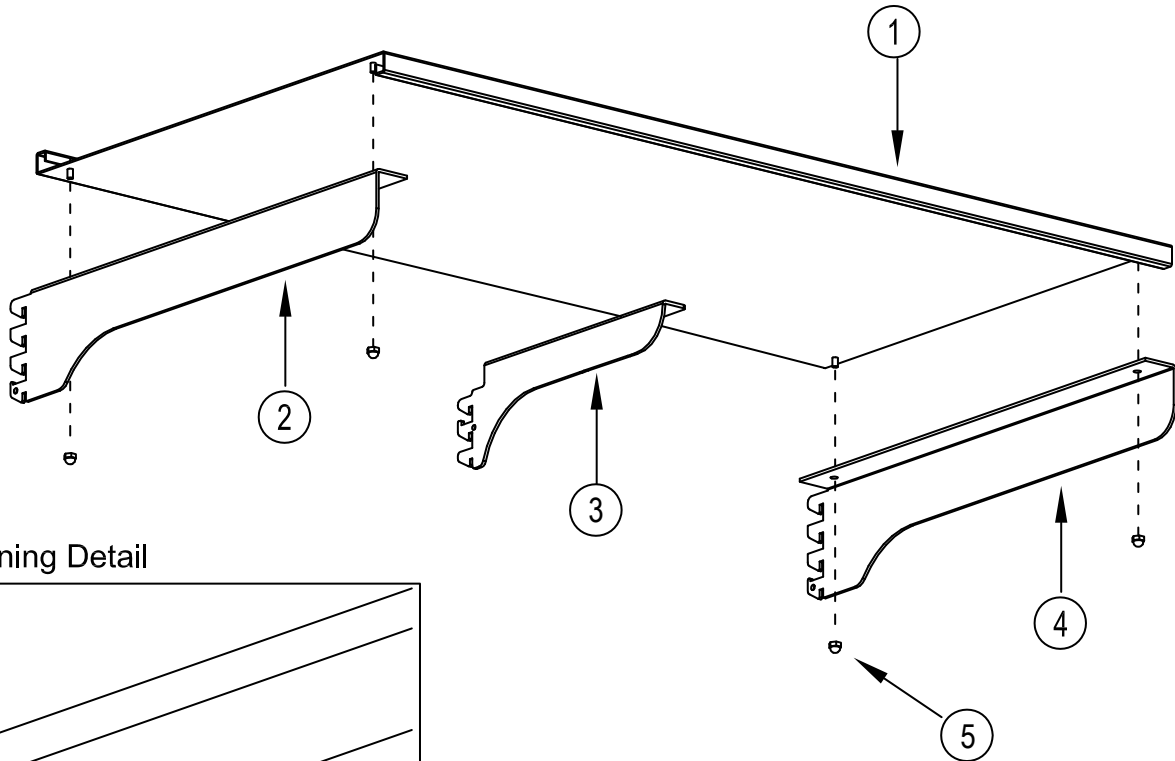
56-01 55TH AVENUE
 MASPETH, NY 11378
 888.222.7270
 www.hergo.com

Assembled View

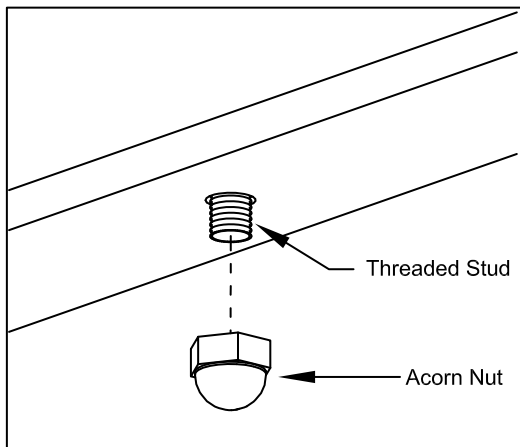


	Size	Product #	MS Plate #
$A =$	24"	14-00100-024	82-01410-024
	30"	14-00100-030	82-01410-030
	36"	14-00100-036	82-01410-036
	48"	14-00100-048	82-01410-048
	60"	14-00100-060	82-01410-060

Exploded View



Fastening Detail



ITEM	PART NO.	PARTS DESCRIPTION	QTY	Notes
1	82-01410-XXX	Mounting Shelf Plate	1	see chart A for size
2	82-02000-520	Shelf Downward Left Side Bracket 18.5 deep	1	
3	14-00110-000	Center Support Bracket	1	48" & 60" Shelves only
4	82-02000-525	Shelf Downward Right Side Bracket 18.5 deep	1	
5	83-28002-015	10-32 Acorn Nut	6	includes 1 extra, 7 total