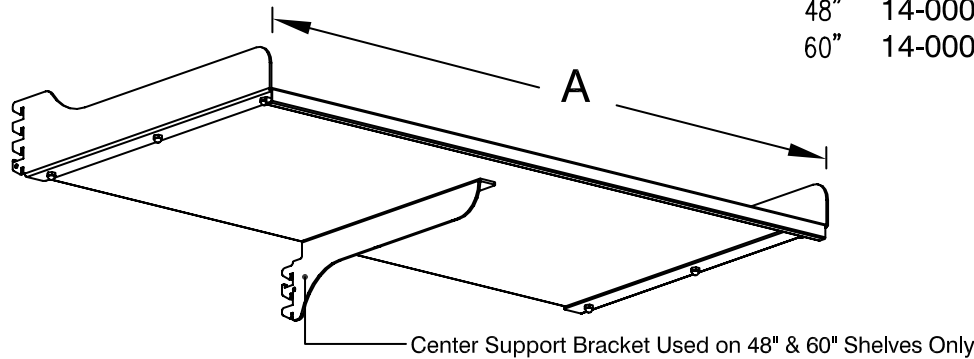


# Standard Mounting Shelf 18.5" Deep Upward Brackets

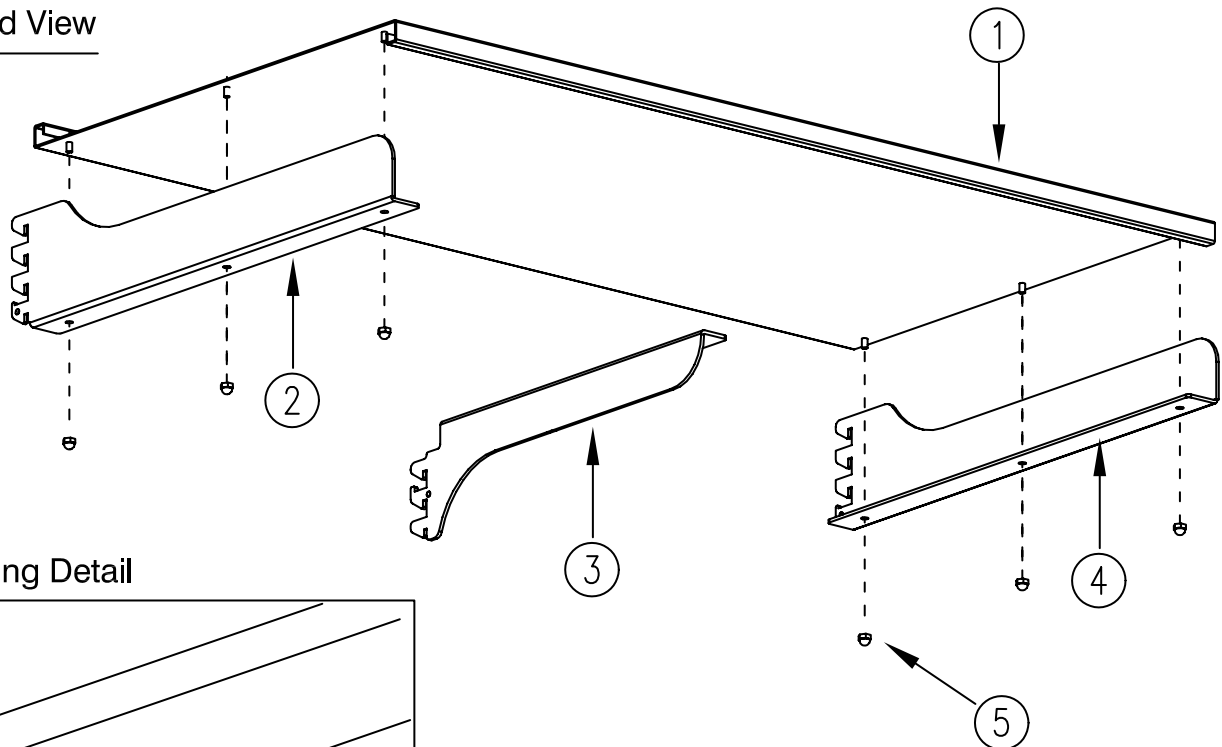
56-01 55TH AVENUE  
 MASPETH, NY 11378  
 888.222.7270  
 www.hergo.com

## Assembled View

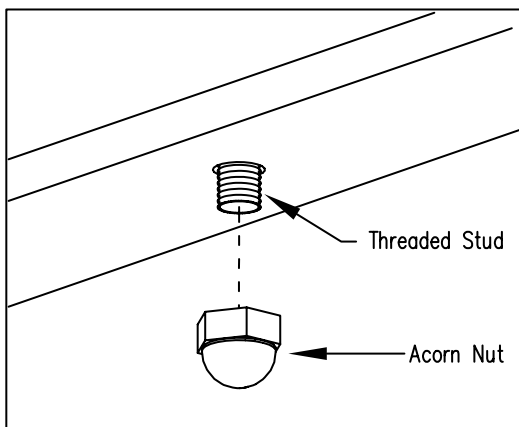


	Size	Product #	MS Plate #
A =	24"	14-00024-000	82-01410-024
	30"	14-00030-000	82-01410-030
	36"	14-00036-000	82-01410-036
	48"	14-00048-000	82-01410-048
	60"	14-00060-000	82-01410-060

## Exploded View



## Fastening Detail



ITEM	PART NO.	PARTS DESCRIPTION	QTY	Notes
1	82-01410-XXX	Mounting Shelf Plate	1	see chart A for size
2	82-02000-505	Shelf Upward Left Side Bracket 18.5" deep	1	
3	14-00110-000	Center Support Bracket	1	48" & 60" Shelves only
4	82-02000-510	Shelf Upward Right Side Bracket 18.5" deep	1	
5	83-28002-015	10-32 Acorn Nut	6	includes 1 extra, 7 total