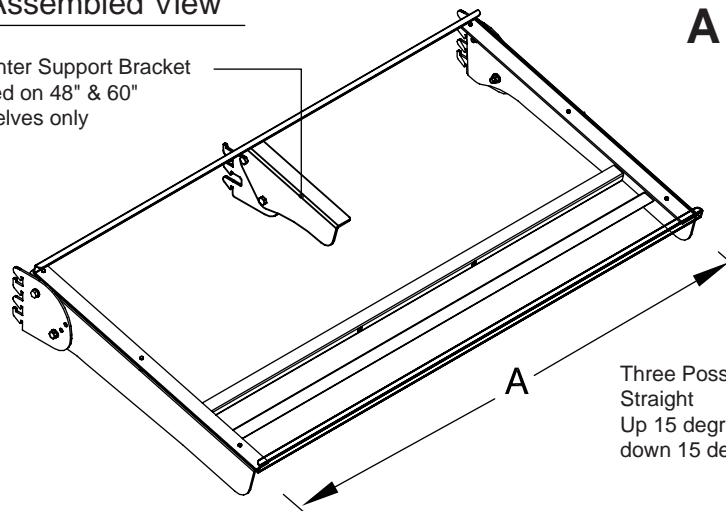


Standard Tilted Shelf 18.5" Deep

Assembled View

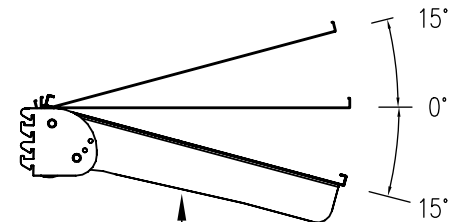
Center Support Bracket
 used on 48" & 60"
 Shelves only



A =

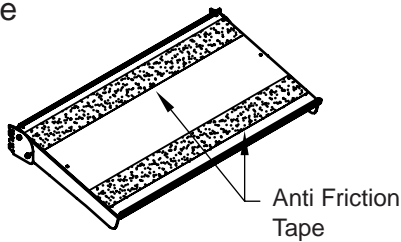
Size	Product #	TS Plate #
24	14-00124-000	82-01425-024
30"	14-00130-000	82-01425-030
36"	14-00136-000	82-01425-036
48"	14-00148-000	82-01425-048
60"	14-00160-000	82-01425-060

Three Possible Positions
 Straight
 Up 15 degrees
 down 15 degrees

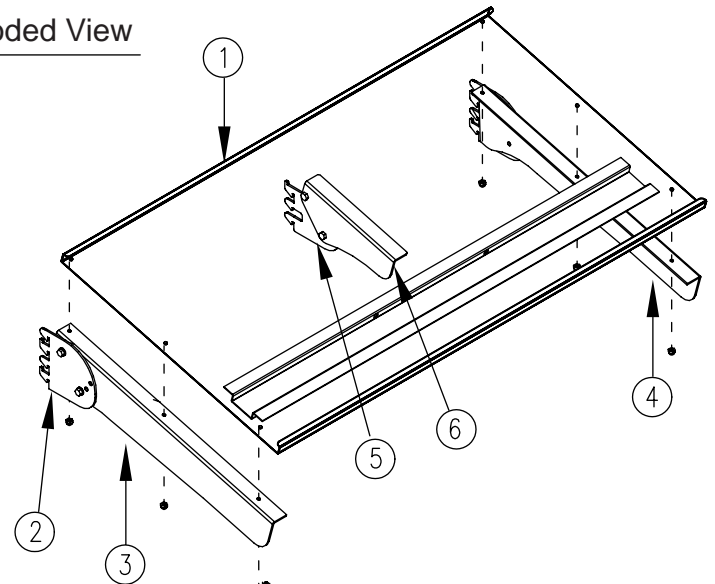


Shipped as shown 15 degrees down

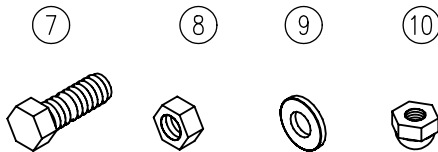
Feature



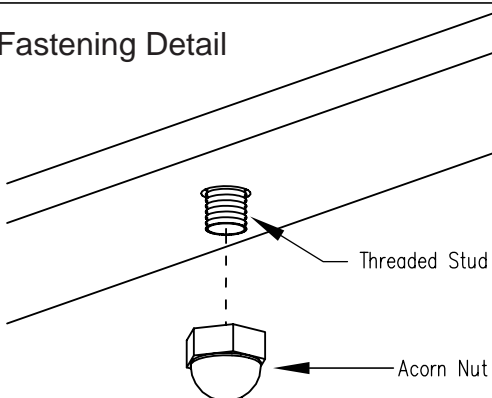
Exploded View



Hardware



Fastening Detail



ITEM	PART NO.	PARTS DESCRIPTION	QTY	Notes
1	82-01425-XXX	Tilted Shelf Plate	1	see chart A for size
2	82-02000-560	Shelf Bracket	2	
3	82-02000-550	Tilted Shelf Bracket Arm-L	1	
4	82-02000-555	Tilted Shelf Bracket Arm-R	1	
5	82-02000-565	Center Support Shelf Bracket-Bracket	1	48" & 60" Shelves only
6	82-02000-567	Center Support Shelf Bracket-Arm	1	48" & 60" Shelves only
Hardware				
7	83-28001-030	1/4-20 x 3/4" Hex Bolt	4	Add 2 for 48" & 60"
8	83-28002-040	1/4-20 Nylon Insert Stop Nut	4	Add 2 for 48" & 60"
9	83-28004-005	1/4" Washer	8	Add 4 for 48" & 60"
10	82-28002-015	10-32 Acorn nut	6	includes 1 extra, 7 total